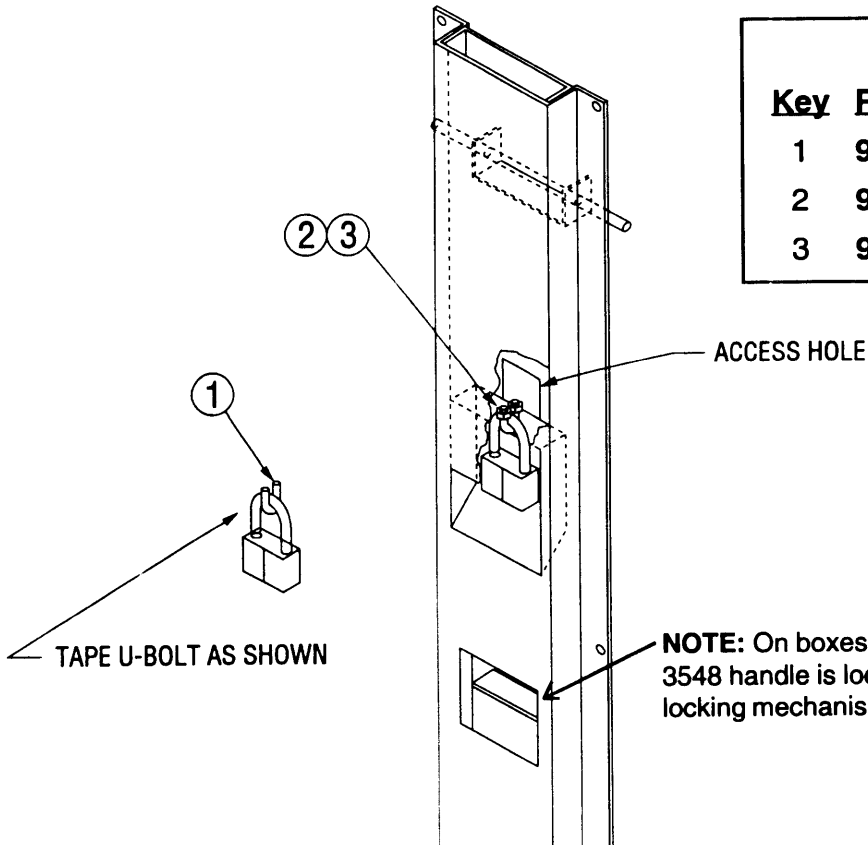




LOCK INSTALLATION

for Storage Boxes 3448, 3460, 3548, 5760, 5660L



PARTS LIST			
Key	Part No.	Description	Qty.
1	905 4318.1	U-Bolt	1
2	905 1674.5	1/4" Lock Washer	2
3	905 1669.9	1/4-20 Hex Nut	2

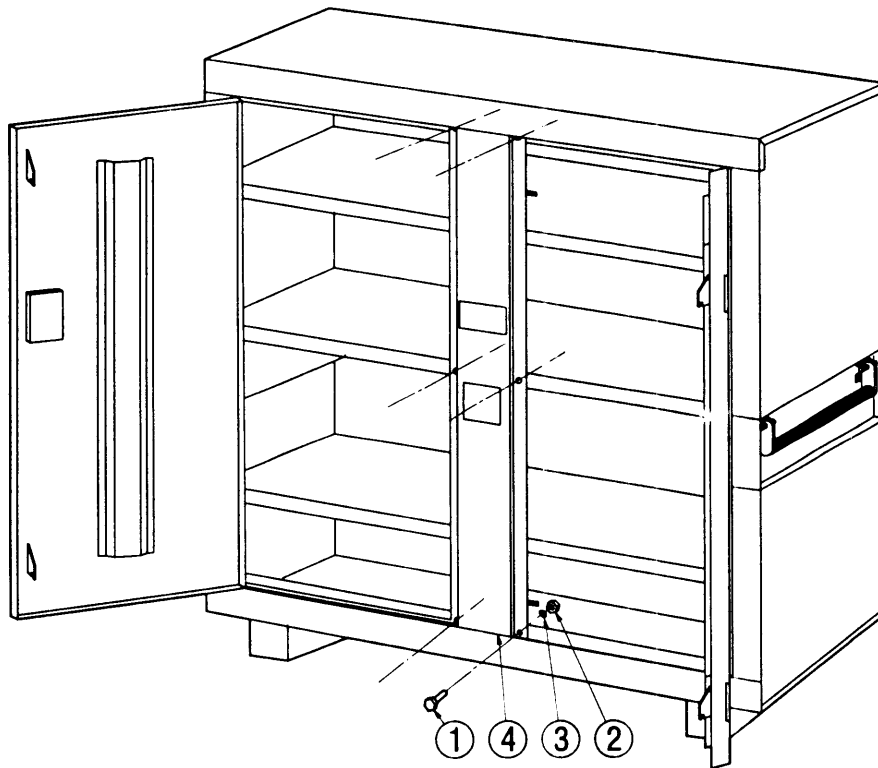
NOTE: On boxes 3448, 3460 and 3548 handle is located above locking mechanism.

1. Locate U-bolt, nuts and washers. Supplied loose.
 2. Open doors of box for access to back of lock mechanism.
 3. Open #1 or #5 master lock with standard shackle (or exact equivalent) with key.
 4. Slide U-Bolt ① on to shackle of lock and tape into position as shown, leaving lock open.
 5. Feed lock and U-bolt carefully into pocket on front of lock mechanism.
 6. Position shackle over rod located inside pocket and position U-bolts through holes located at top of pocket. To check if U-bolt is through holes, an access hole is located on the back of the lock mechanism.
 7. When in position, thread lock washers ② and nuts ③ to U-bolt through access hole, tighten securely.
- NOTE:** Doors cannot be shut when padlock is in locked position.
- NOTE:** Procedure is reversed to remove or change locks.



DOOR LOCK MECHANISM

for Storage Boxes 3448, 3460, 3548, 5760, 5660L



PARTS LIST			
Key	Part No.	Description	Qty.
1	905 3710.6	1/4-20 X 5/8 Hex Mach. Scr.	6
2	905 1669.9	1/4-20 Hex Nut	6
3	905 1674.5	1/4" Lock Washer	6
4	SEE	Door Lock Mech.	1

Box No.	Lock Mech.
3448	503 8835.5
3460	503 8835.5
3548	503 8835.5
5660L	503 8836.3
5760	503 8836.3

1. Remove old or damaged lock mechanism by removing hex screws and nuts located along each side of mechanism.
2. Position ④ new mechanism and line up holes on sides with existing holes in box.
3. Insert ① 1/4-20 hex screws (supplied) into holes with heads facing out.
4. Thread ③ washers and ② nuts (supplied) onto screws and tighten securely.
5. Install padlock.

GREENLEE **TEXTRON**

Greenlee Textron Inc. / Subsidiary of Textron Inc.
4455 Boeing Drive, Rockford, IL 61109-2988 USA